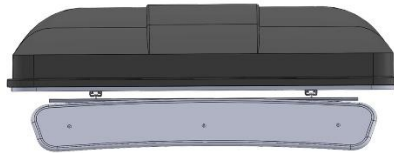
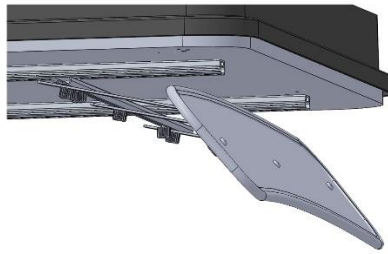
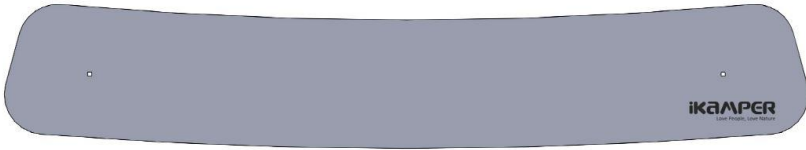


WIND DEFLECTOR ASSEMBLY



Instructions

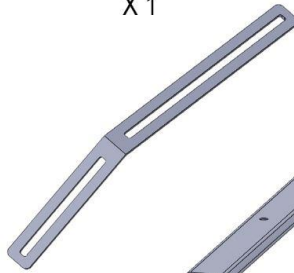
Included parts:



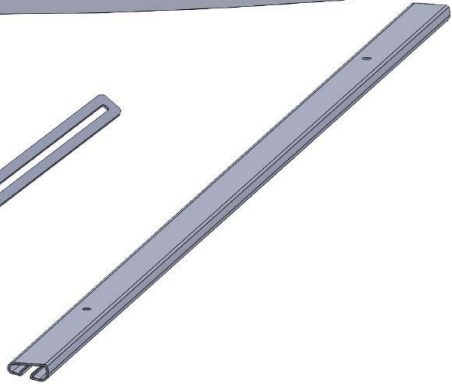
A
X 1



B
X 1



C
X 3



D
X 1



E x2



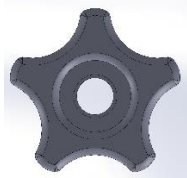
F x3



G x3



H x6



I x2



J x2

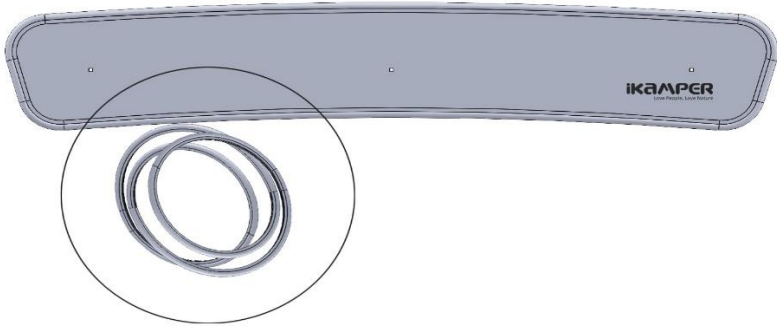


K x2

STEP 1

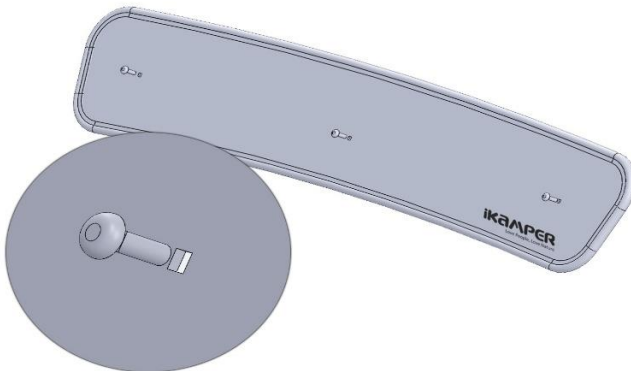
Remove the protective vinyl covering from panel [A].

STEP 2



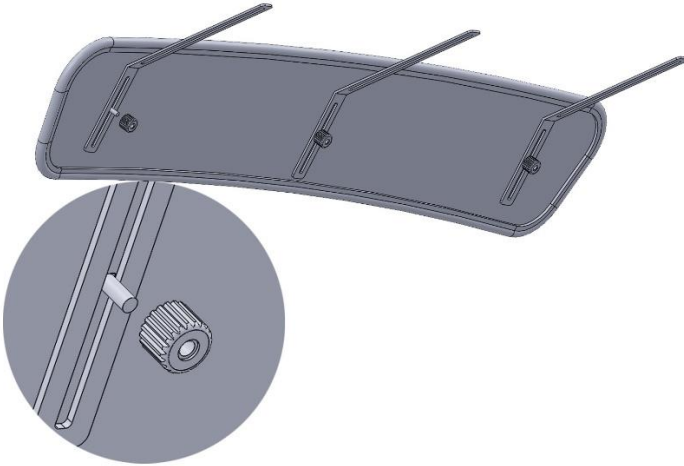
Take rubber strap [B] and wrap it around panel [A]. The harder rubber side should be facing the front of panel [A] with the iKamper logo, with the softer rubber side facing the back.

STEP 3



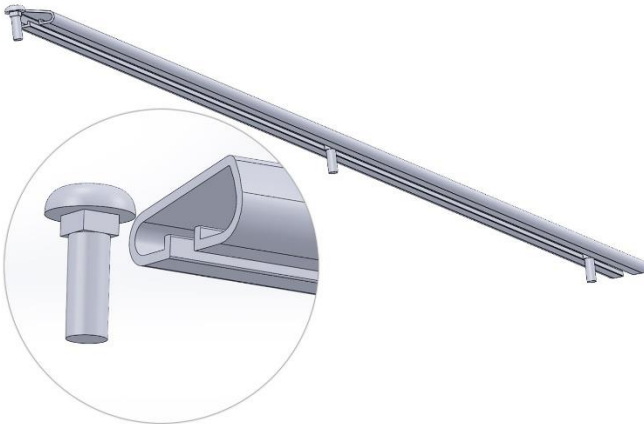
Insert 3 short bolts [F] into the front of panel [A].

STEP 4



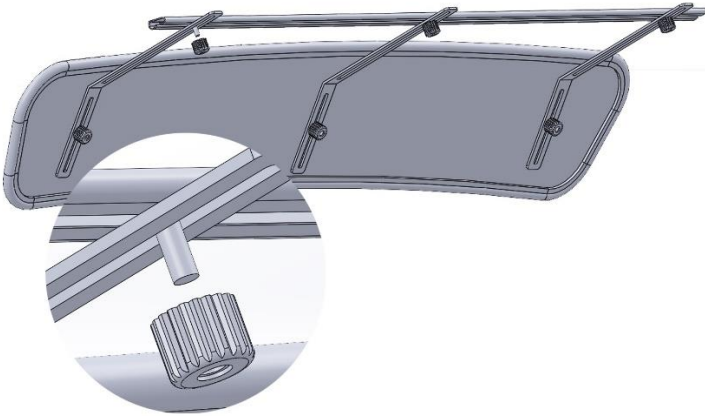
Take metal piece [C] and place the short side over bolt [F]. Then screw on head nut [H], and repeat for the other two bolts.

STEP 5



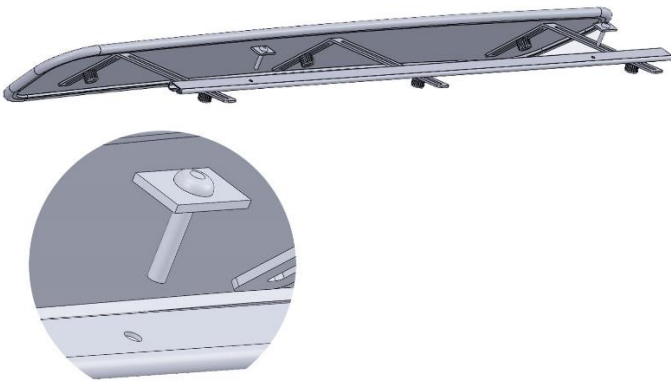
Slide 3 long bolts [G] into the side of rail [D].

STEP 6



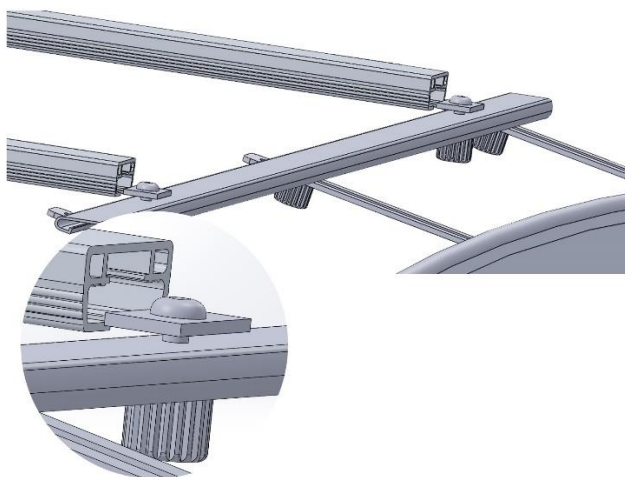
Place rail [D] over the 3 metal pieces [C], insert the 3 bolts [G], and screw on the 3 head nuts [H]. The thicker end of rail [D] should be facing panel [A].

STEP 7



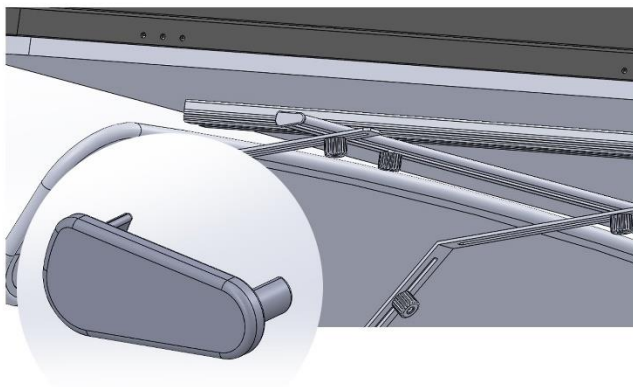
Screw square nuts [J] on to bolts [K], and insert them in the holes on top of rail [D]. The wider sides should be facing the front and back of the rail. Loosely screw on head nuts [I].

STEP 8



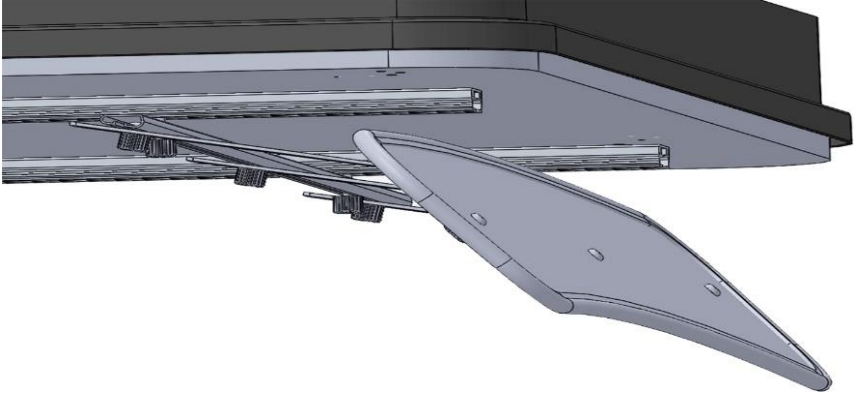
- Remove the two plastic pieces covering the front of rails under the Skycamp.
- Insert the square nuts [J] into the rails, choose the appropriate position, and tightly screw on the head nuts.
- Put the cover pieces back in place in front of the rails.

STEP 9



Place the 2 plastic pieces [E] on the sides of rail [D].

STEP 10



Adjust the height and position of the Wind Deflector by unscrewing the head nuts [I] and tightening them once the Wind Deflector is in the right position.

For more instructions and explanation videos, please visit www.ikamper.com/instructions

ikAMPER

Love People, Love Nature

www.ikamper.com